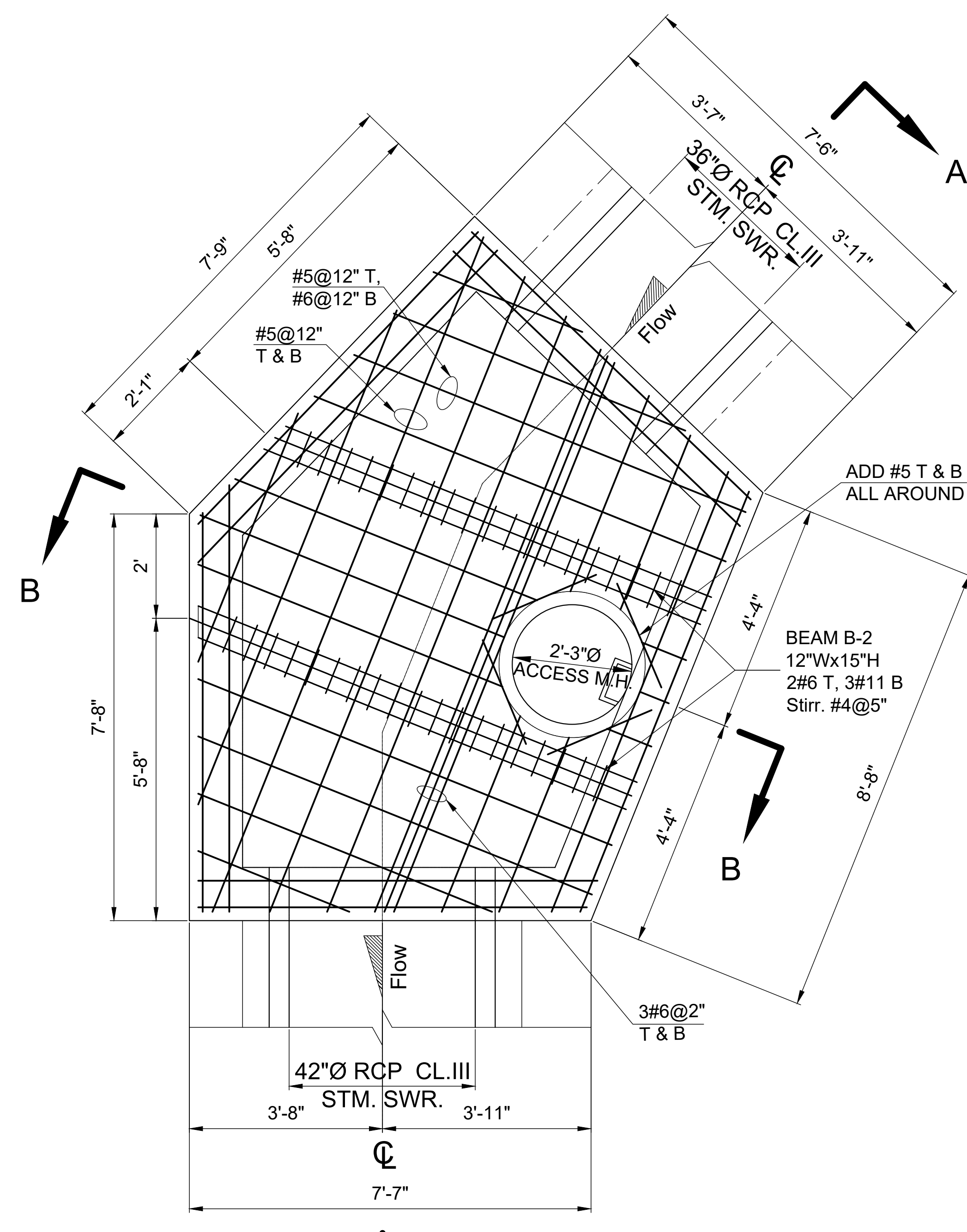
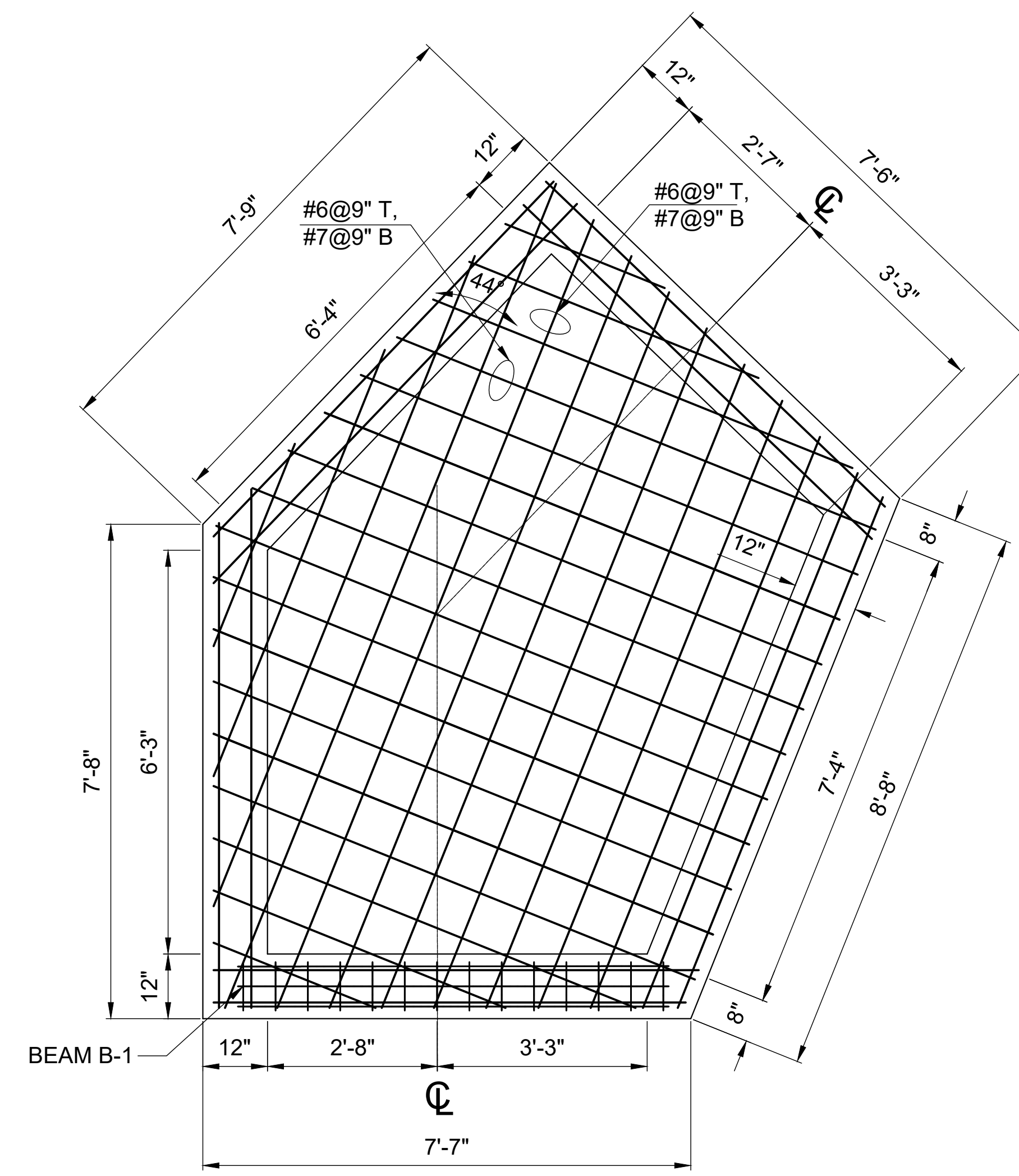


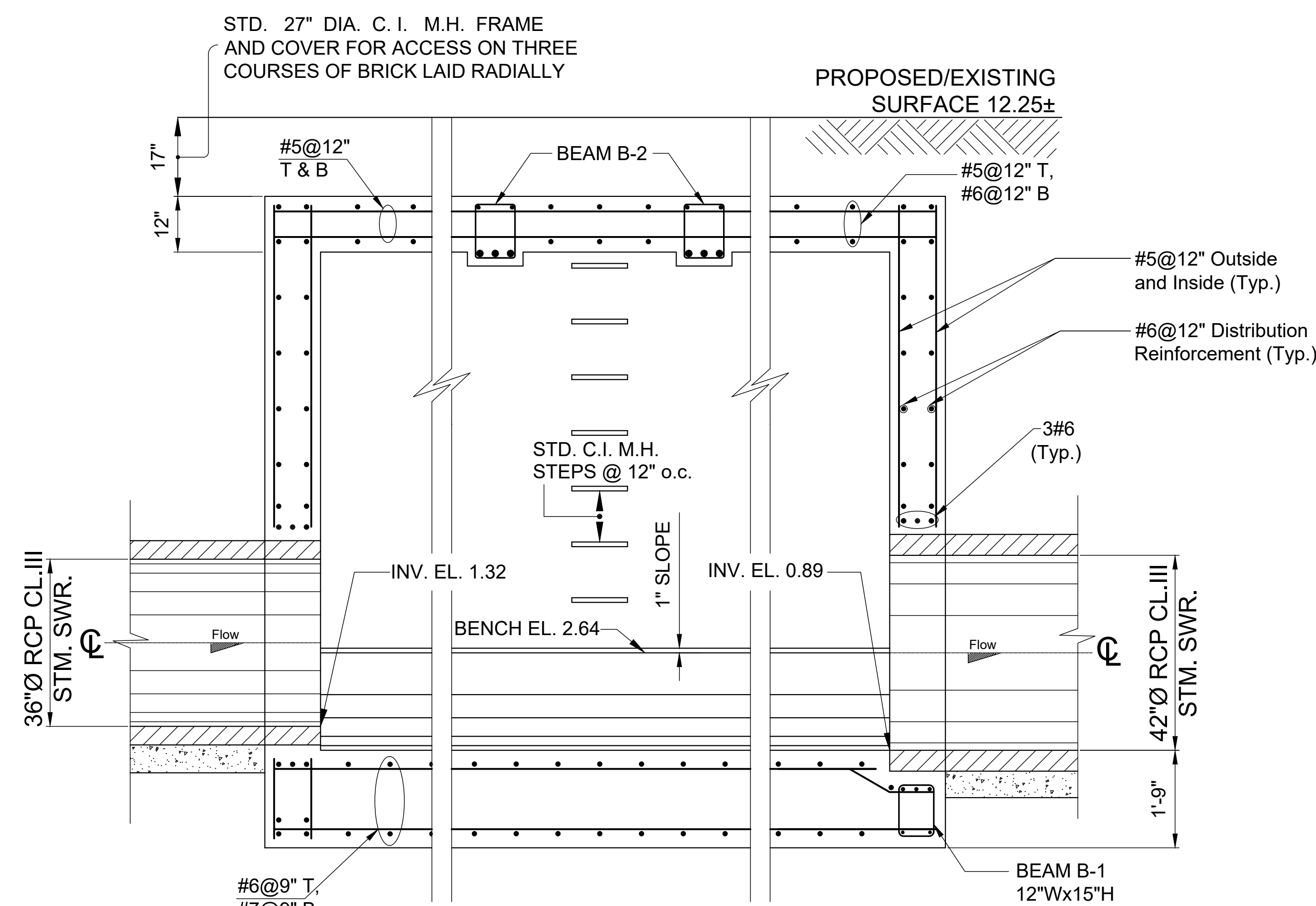
INVERT PLAN AND WALL REINFORCEMENT



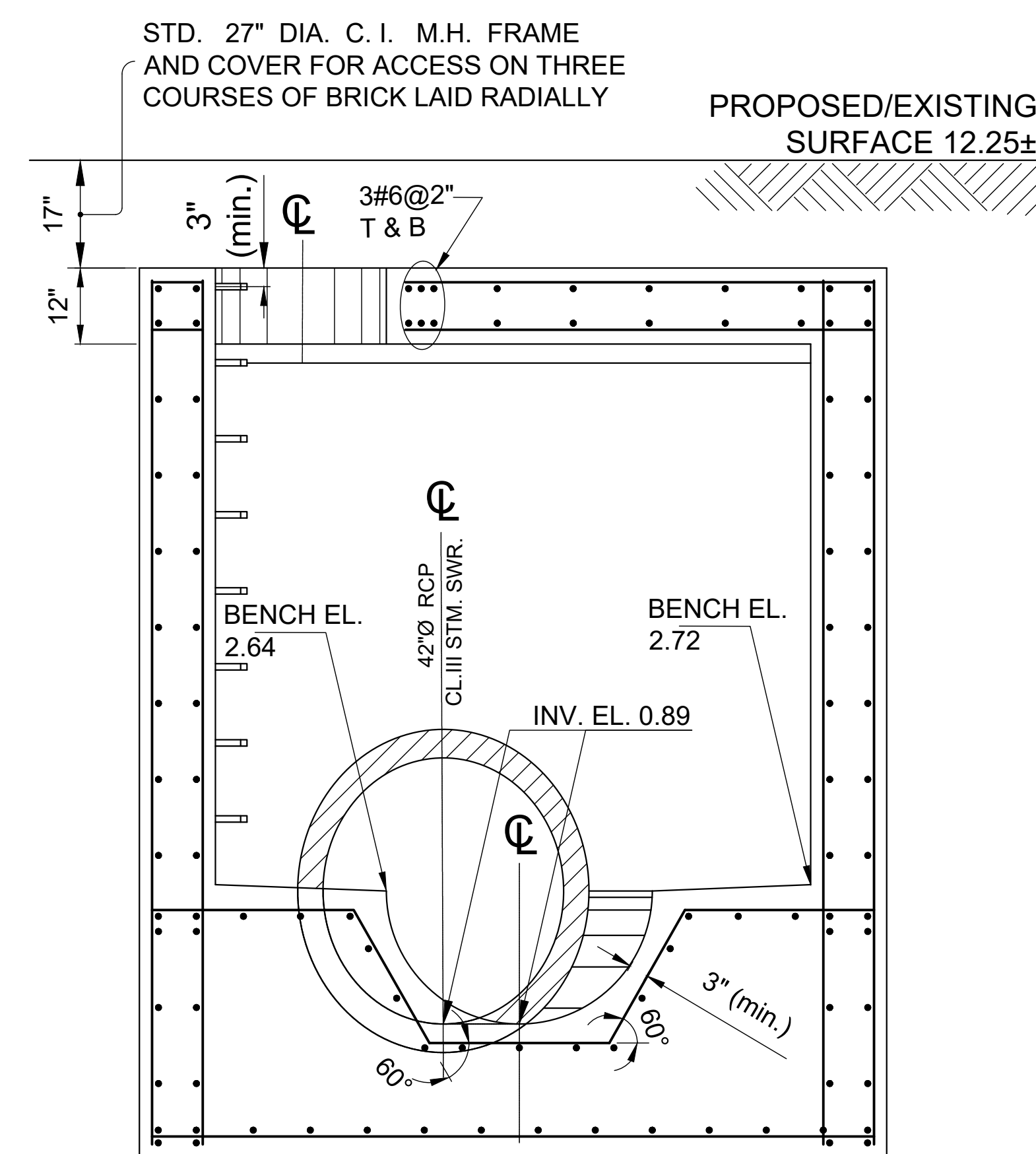
ROOF PLAN AND ROOF SLAB REINFORCEMENT



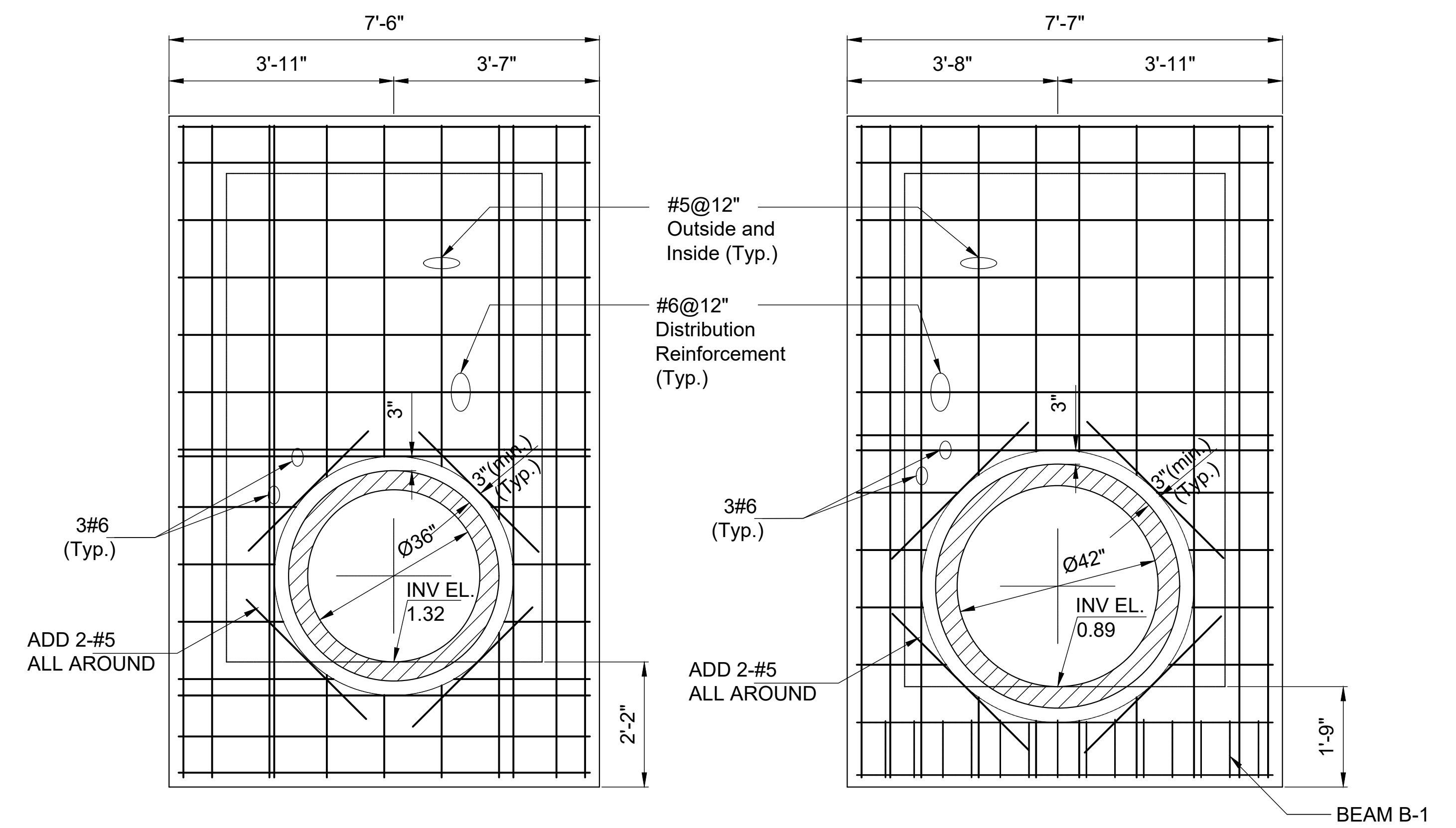
BOTTOM SLAB LOWER LAYER REINFORCEMENT



SECTION A-A
(BENCH REINFORCING BARS ARE NOT SHOWN)



SECTION B-B
(NOT ALL MAIN REINFORCING BARS ARE SHOWN)



SECTION C - C

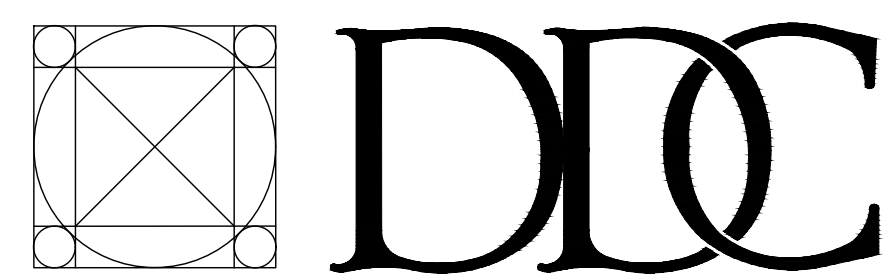
SECTION D - D

NOTES:

1. ALL REINFORCING BARS SHALL BE #5@12" E.W. & E.S. UNLESS OTHERWISE SHOWN.
2. STEEL REINFORCING BARS SHALL BE GRADE 60.
3. CONCRETE SHALL BE CLASS 40.

SCALE: 1/2" = 1'-0"

NO.	DATE	DESCRIPTIONS REVISIONS	BY	APPRD



FINAL DESIGN PREPARED BY:
 Glorybee Taveras, P.E.
 ENGINEER-IN-CHARGE
 Avery Kugler
 DESIGN ENGINEER

CITY OF NEW YORK
 DEPARTMENT OF DESIGN AND CONSTRUCTION
 DIVISION OF INFRASTRUCTURE
 BUREAU OF DESIGN

CHAMBER NO. 21

A. Kugler
 DRAWN BY
 CHAMBERS\CHAMBER NO.21
 CADD FILE

CAPITAL PROJECT NO. **DDC-021**
 SHEET OF **1**