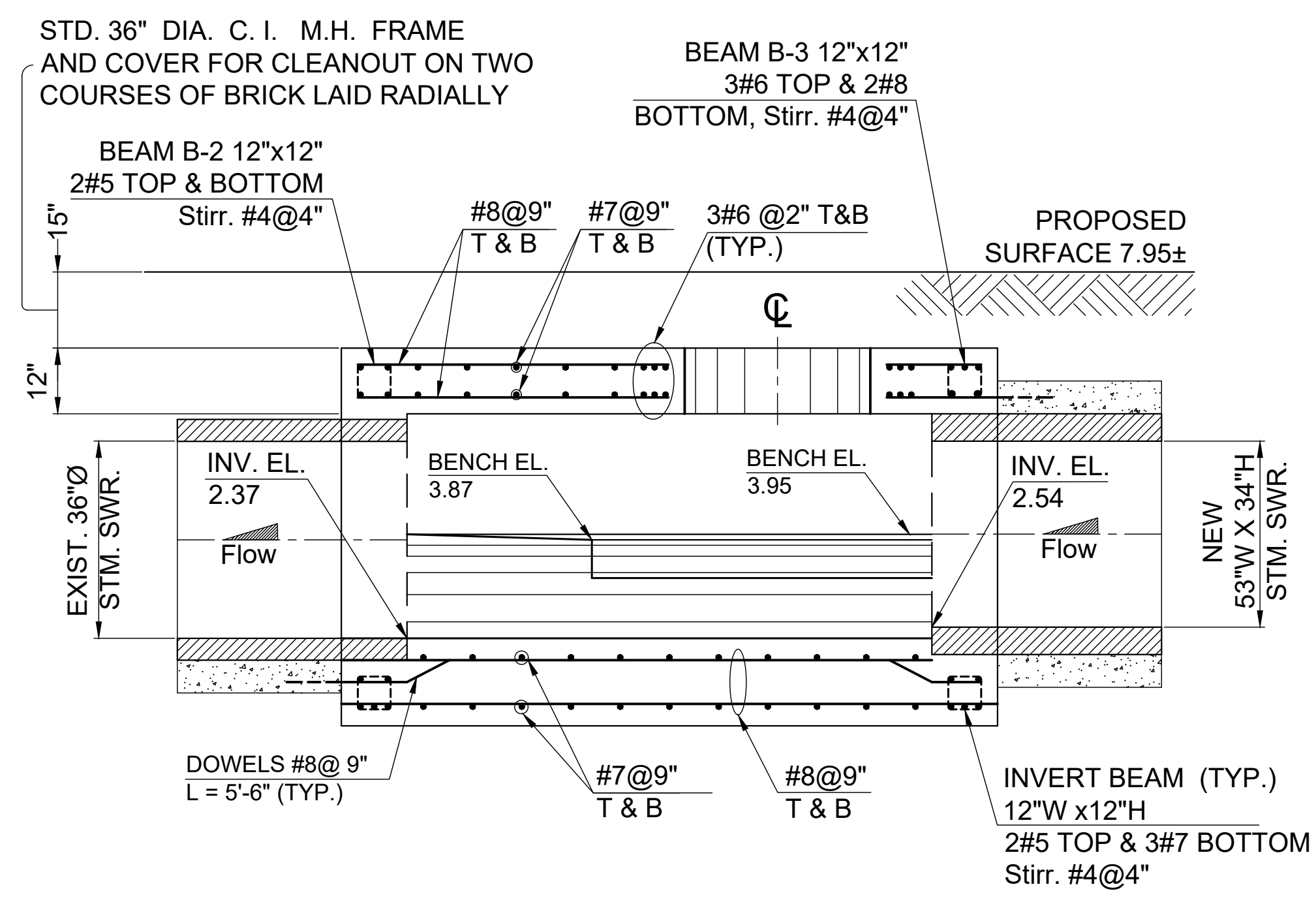
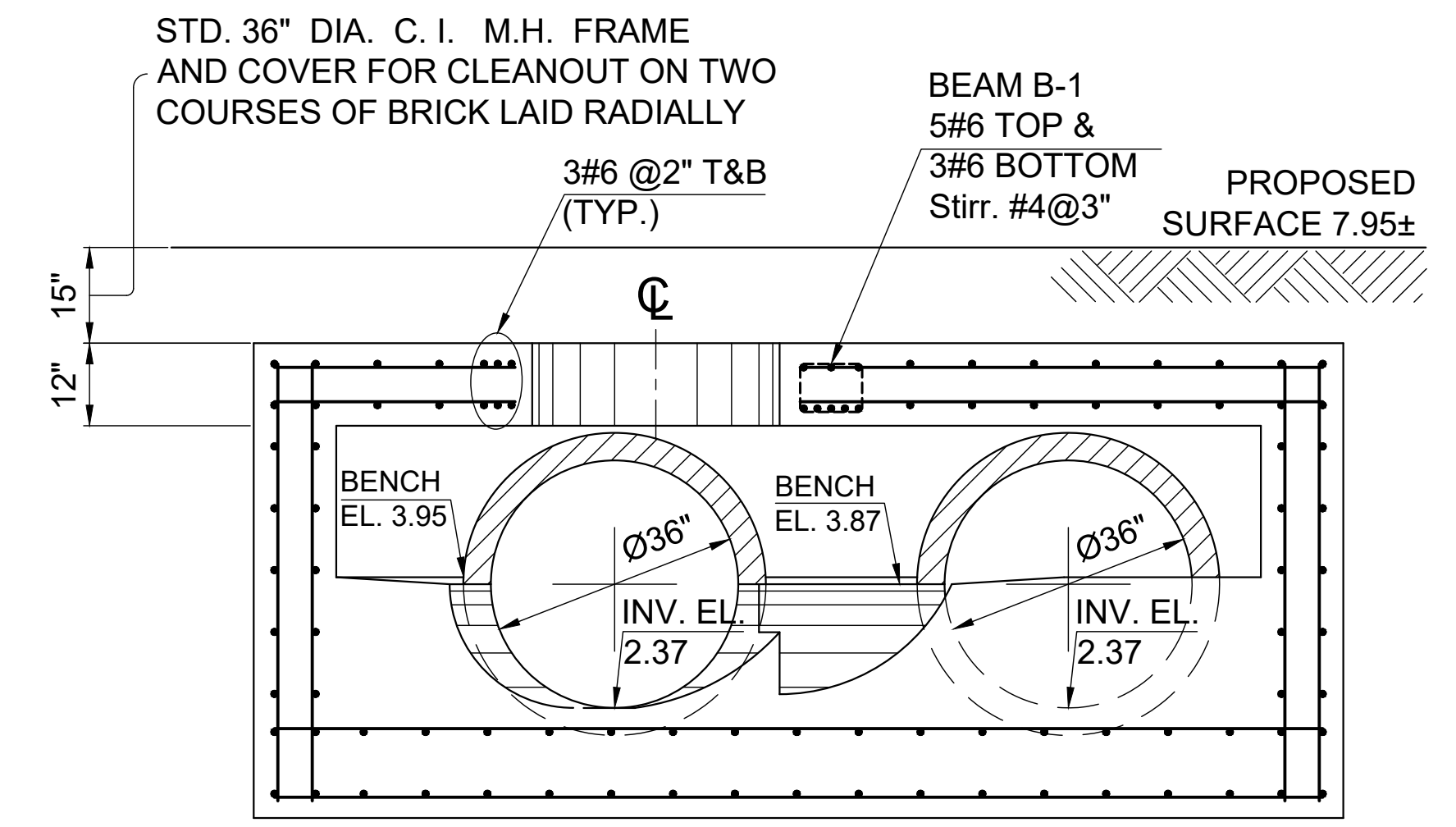


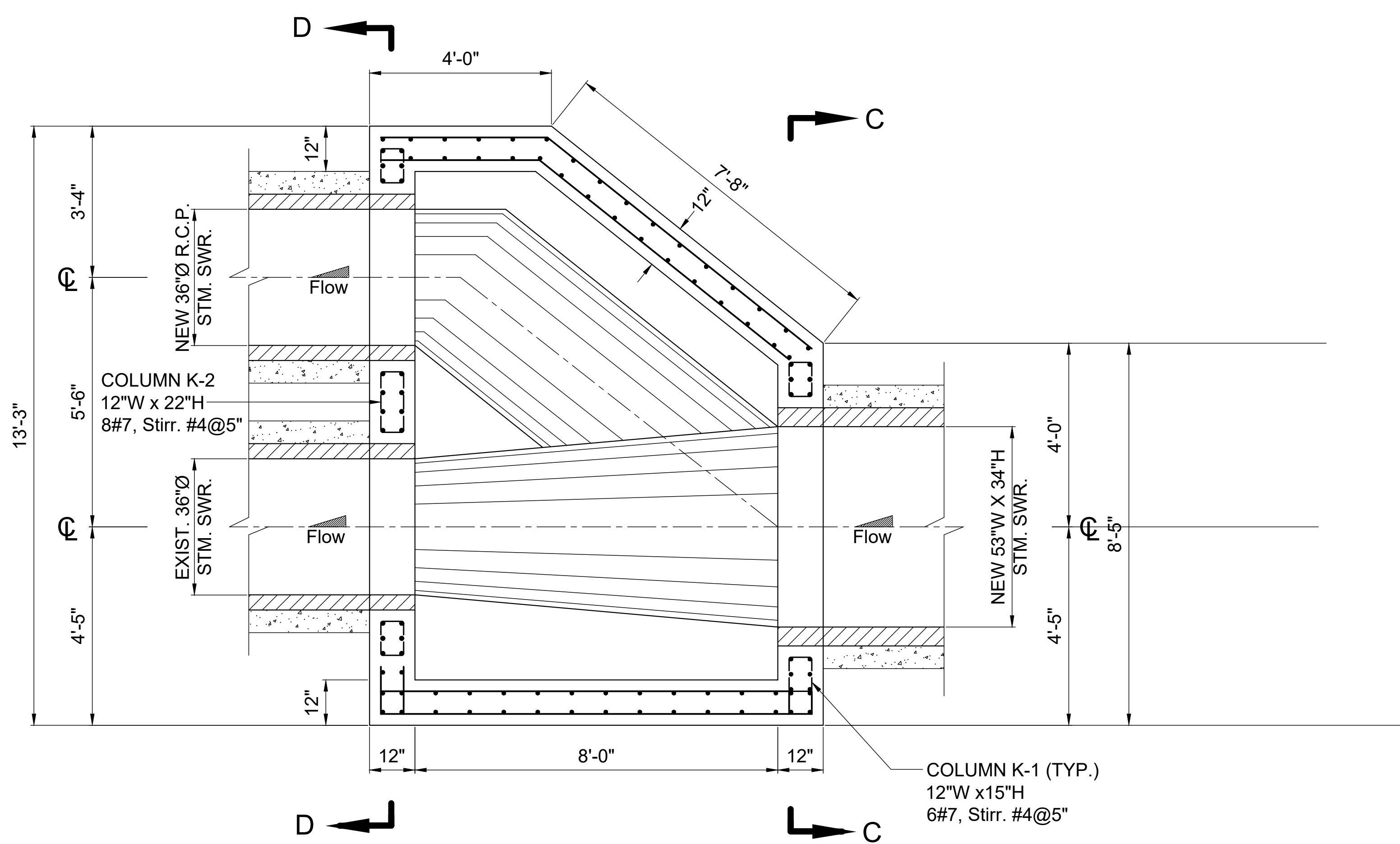
ROOF PLAN AND ROOF SLAB REINFORCEMENT



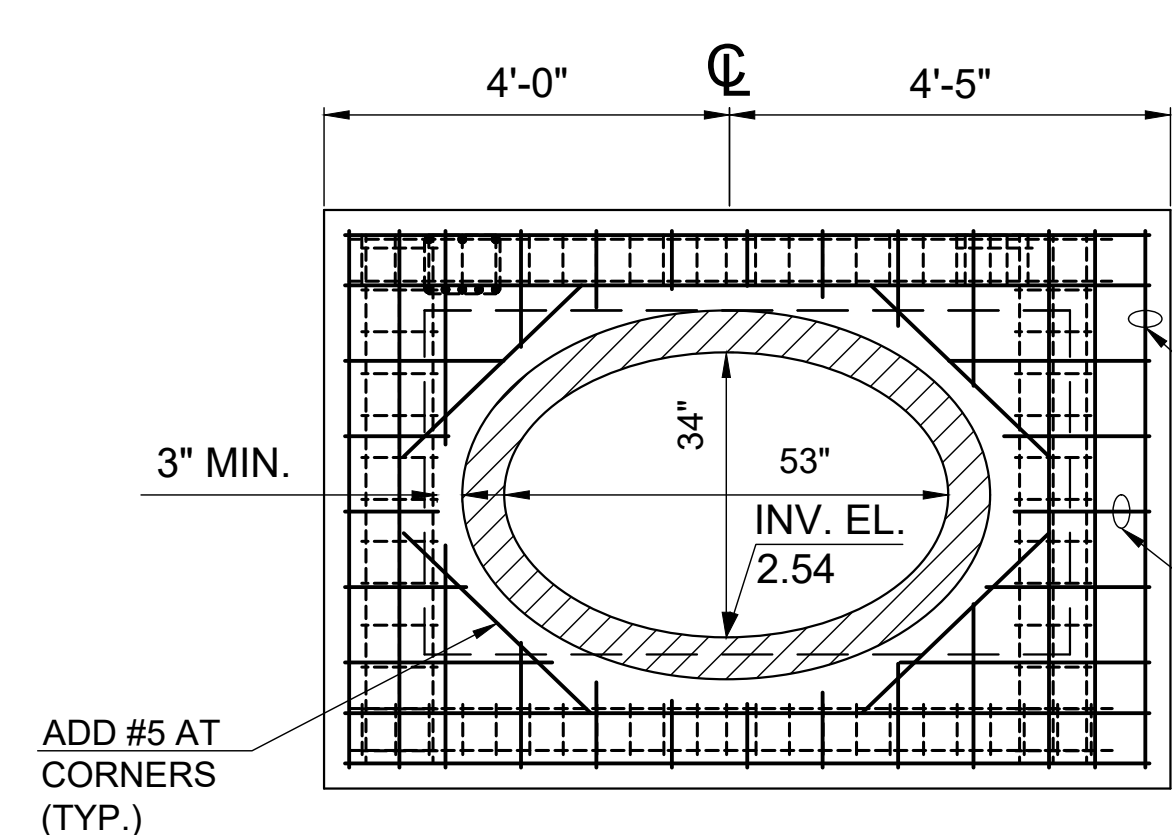
SECTION A - A



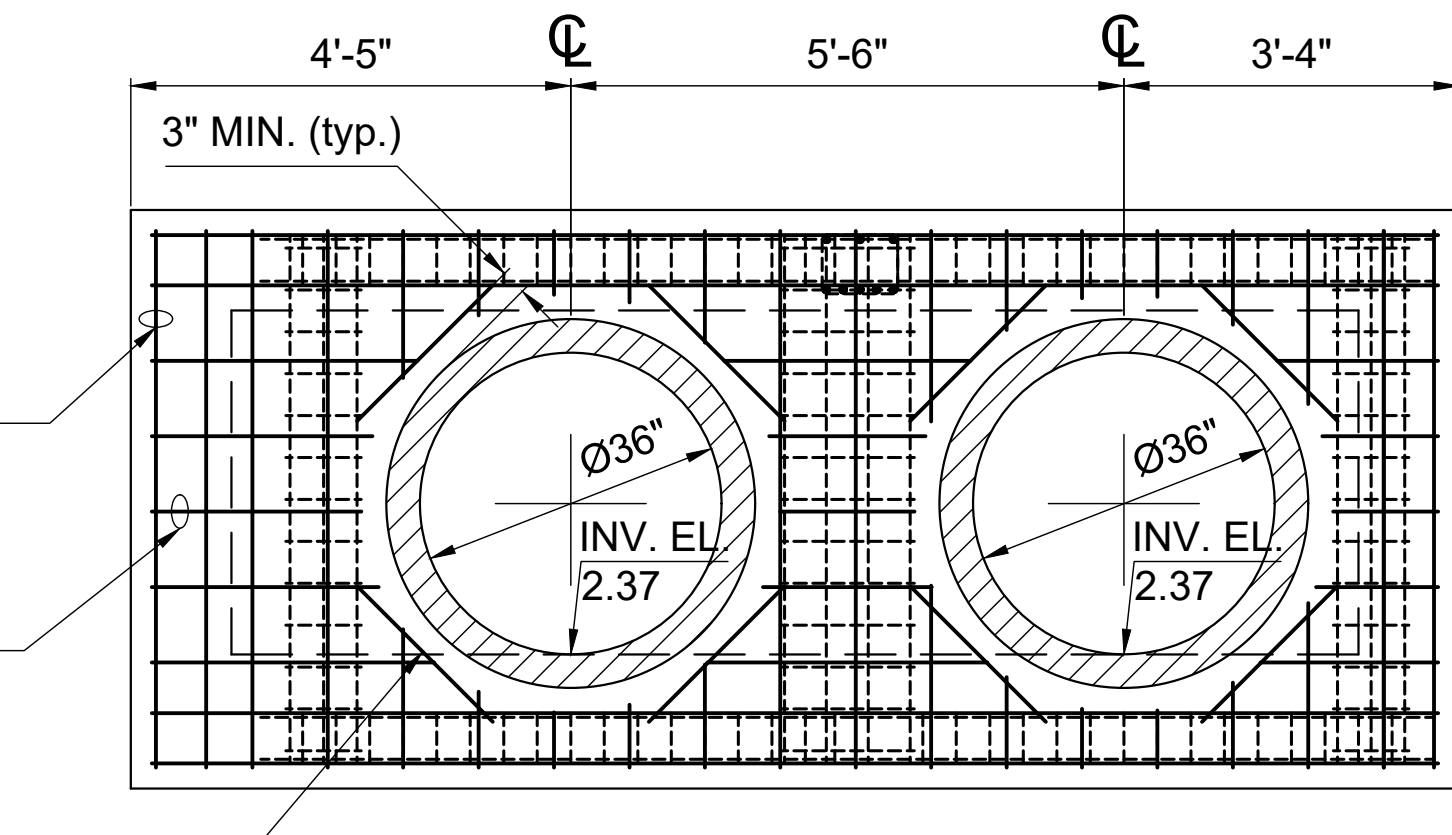
SECTION B - B



INVERT PLAN AND WALL REINFORCEMENT



SECTION C - C

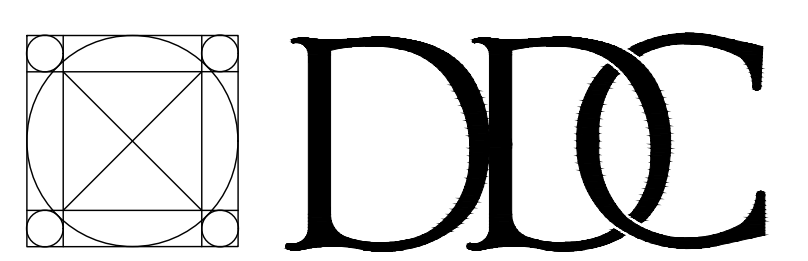


SECTION D - D

NOTES:

1. ALL REINFORCING BARS SHALL BE #5@12" E.W. & E.S. UNLESS OTHERWISE SHOWN.
2. STEEL REINFORCING BARS SHALL BE GRADE 60.
3. CONCRETE SHALL BE CLASS 40.

SCALE: 1/2" = 1'-0"



FINAL DESIGN PREPARED BY:
 Glorybee Taveras, P.E.
 ENGINEER-IN-CHARGE
 DATE _____
 Avery Kugler
 DESIGN ENGINEER
 07/21/2022
 DATE _____

CITY OF NEW YORK
 DEPARTMENT OF DESIGN AND CONSTRUCTION
 DIVISION OF INFRASTRUCTURE
 BUREAU OF DESIGN

CHAMBER NO. 5

A. Kugler
 DRAWN BY
 CADD FILE

NO.	DATE	DESCRIPTIONS	BY	APPR'D

RECONSTRUCTION OF
 ROSEDALE AREA
 PHASE 2
 BOROUGH OF QUEENS

CAPITAL PROJECT NO. XXX-XXX SHEET OF 1